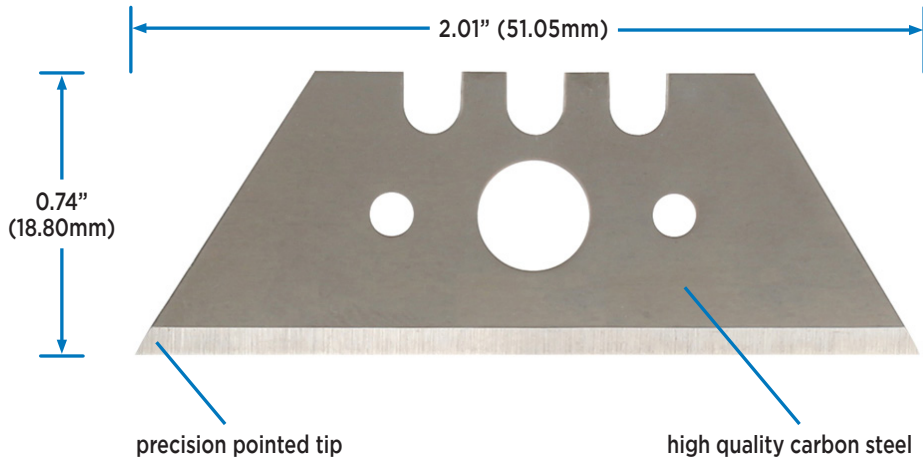


industrial utility blade pointed tip

B11117-9



IDEALLY SUITED FOR



corrugate/boxes



Tape



plastic banding



film/stretch/
shrink



Bags

FEATURES AND HIGHLIGHTS

Industrial Utility Blade Pointed Tip is a durable and long-lasting carbon steel replacement blade with a pointed tip for exclusive use with the PHC Rebel™ and Volo™ Safety Knives.

- High-quality durable carbon steel blade for long-lasting use.
- Precision pointed tip for smooth, clean cuts.
- Compatible with PHC Rebel™ and Volo™ Safety Knives.
- 100 per blade pack.

COMPATIBLE PRODUCTS



E12304-4
Smart-Retract Rebel™
Safety Knife



E12209-4
Auto-Retract Rebel™
Safety Knife



E12204-4
Auto-Retract Volo™
Safety Knife



E13205-9
Auto-Retract Metti™
Safety Knife

TECHNICAL

BLADE MATERIAL	Carbon Steel
BLADE SIZE	2.01"L x 0.74"W x 0.02"H 51.05mm L x 18.80mm W x 0.51mm H
BLADE WEIGHT	0.01 lbs / 0.004 kg

PACKAGING



SELL PACK QTY	Box of 100
UPC#	0-73441-00923-9
EAN#	0073441009239
SIZE/WEIGHT	6.10"L x 2.76"W x 1.18"H 15.49cm L x 7.01cm W x 3.0cm H 0.73 lbs / 0.33 kg

CASE PACK QTY	1000 (10 Boxes of 100)
UPC#	200-73441-00923-3
EAN#	0073441009321
SIZE/WEIGHT	6.54"L x 6.30"W x 6.30"H 16.61cm L x 16.0cm W x 16.0cm H 9.48 lbs / 4.3 kg

WHY PHC?

We believe in making safety cutting tools for every body. For over 70 years, Pacific Handy Cutter has thoughtfully engineered accessible safety cutting solutions for a variety of users, cutting applications and work environments. Our Safety Knives are the preferred cutting tool among grocery, retail and industrial businesses due to their ability to improve worker productivity while reducing the costs associated with accidental injuries, worker compensation claims and damaged merchandise.